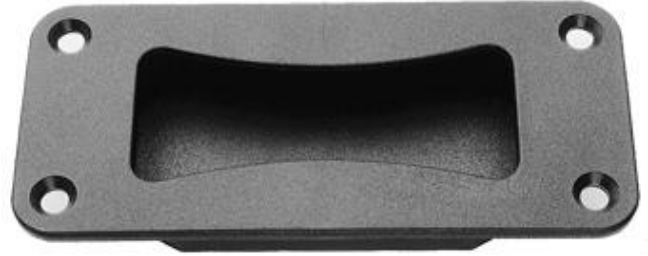


## GG13 Double Sided Flush Fit Grab Handle

### Features

- Design available in both die cast and moulded construction options
- Completely flush-fitting and easy to fix into panel aperture
- Shaped edges allow easy action with roller shutters and sliding doors
- Die cast version recommended for heavy lifting applications

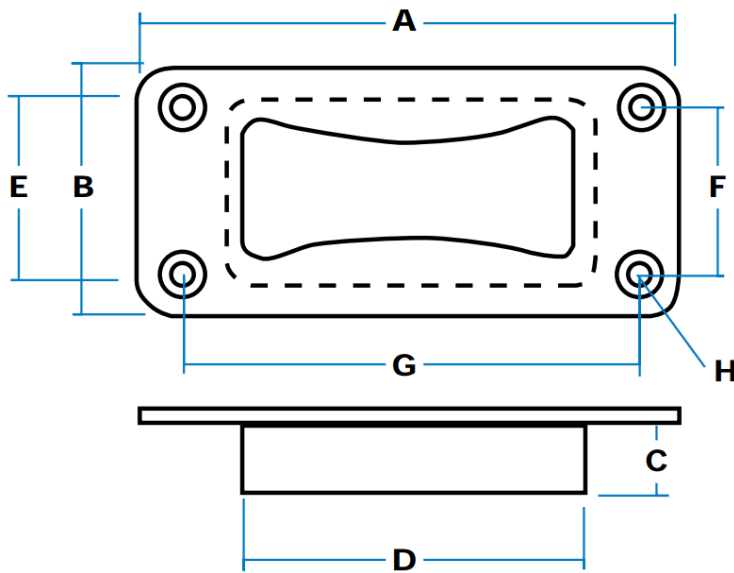


### Material

- Die cast option: Die cast zinc alloy, black powder-coated
- Moulded option: Moulded in glass-filled nylon, textured finish

### Notes

- Fix through countersunk holes in top plate



Part No.	Type	A	B	C	D	E	F	G	H
GG13-G001390	Moulded	133	60	21	95	45	41	114	6 mm, c/s 10 mm
GG13-G001391	Die Cast								

Because of construction detail, there are projections on dimension 'D' to 115 mm on diecast model.